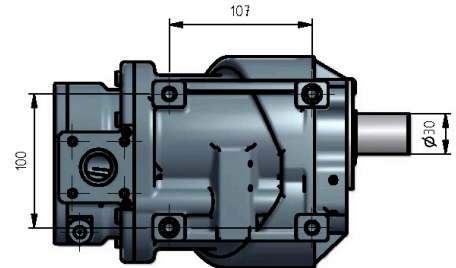
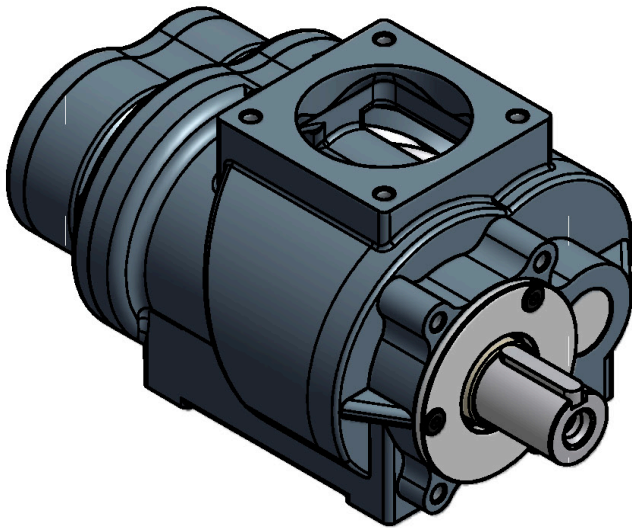
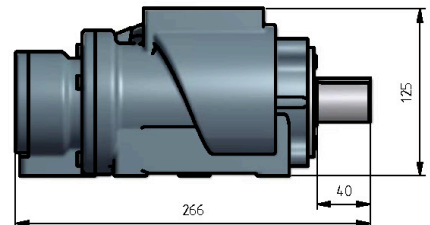
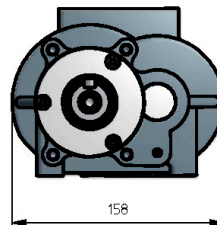


Jäcklin

UNIT SC51



POWER RANGE from 5,5 to 15 kW
CAPACITY from 0,8 to 2 m³/min
PRESSURE from 7 to 15 bar
SPEED from 2000 to 8000 min⁻¹
WEIGHT APPROX 15 kg



PERFORMANCE PREDICTION SC51

